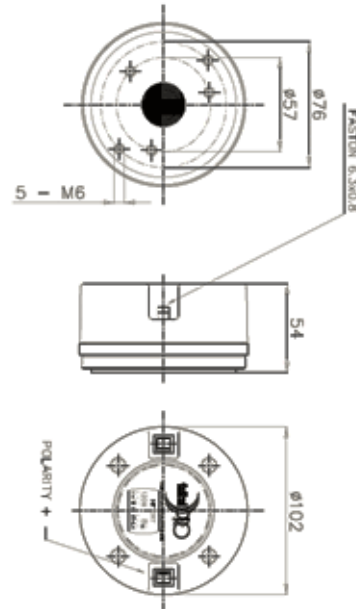




HF10RT Compression Driver



NOMINAL SPECIFICATIONS

| | |
|-------------------------------------|--------------------------------------|
| Throat Diameter | 25,4 mm (1 in) |
| Overall Diameter | 102 mm (4.02 in) |
| Depth | 54 mm (2.13 in) |
| 180° Mounting Holes Diameter (2xM6) | 76 mm (2.99 in) |
| 120° Mounting Holes Diameter (3xM6) | 57 mm (2.24 in) |
| Net Weight | 1.4 Kg (3.09 lb) |
| Shipping Box | 147x130x82 mm (5.79x5.12x3.23 in) |
| Shipping Weight | 1.48 Kg (3.26 lb) |

ORDERING CODES

| | |
|-----------------------------------|----------|
| Faston Terminals - 8 Ohm Version | 00443880 |
| Faston Terminals - 16 Ohm Version | 00443881 |

ELECTRICAL SPECIFICATION

| | |
|-------------------------------|-----------------------|
| Nominal Impedance | 8 ohm |
| Minimum Impedance | 6.7 ohm |
| Re | 5.8 ohm |
| Minimum Crossover Frequency * | 1.3 kHz |
| Sensitivity (1W/1m) ** | 108 dB |
| Frequency Range | 1÷20 kHz |
| Nominal Power Handling *** | 60 W |
| Maximum Power Handling **** | 120 W |
| Diaphragm Material | Titanium |
| Voice Coil Diameter | 44 mm (1.73 in) |
| Winding Material | Copper Clad Aluminium |
| Winding Depth | 2.45 mm (0.10 in) |
| Former Material | Kapton |
| Magnetic Gap Depth | 2.75 mm (0.11 in) |
| Flux Density | 1.9 T |

NOTES

Driver mounted on LTH102 horn

(*) 12 dB/oct or higher slope high-pass filter

(**) Averaged within the frequency range

(***) Test made for 2 hours with Pink Noise signal (6 dB Crest Factor) from minimum crossover frequency. Power calculated on rated minimum impedance. Driver mounted on aluminium horn.

(****) Maximum power is defined as 3dB greater than nominal power.

CURVES

